

# TD Welcome

Welcome to the 28<sup>th</sup> annual New Year Ultimate Fest! We're excited to be holding the tournament at the Scottsdale Sports Complex (SSC) for the first time. These are the best ultimate fields in the Desert. I love playing here, and I imagine that you will too after this weekend. Whether you are a Southwest team or are joining us while escaping a snowy winter, if this is your first time at NYF or you've been playing with us for many years, I hope that everyone will enjoy a safe, fun, spirited weekend full of competitive ultimate. If you enjoy our tournament, spread the word about NYF, and if you have any specific feedback, positive or negative, please let me know.

Tim Streit

## New Year Fest 2010 \* Rules \* Pools: Saturday, January 30

Except where otherwise stated, NYF will run under the UPA's 11<sup>th</sup> Edition rules.

- Saturday game lengths vary by pool. See the pool schedules.
- Win by 2 except at the point cap, new point cap set by soft cap or the hard cap.
- Sunday games are to 13, cap at 15.
- Women's A and Open A finals are first to 15.
- 20-yard brick on out-of-bounds pulls.
- Up to two substitutions per team, per timeout.
- Mirror image, no half. Finals will have a mirror halftime.
- One timeout per half, plus a floater (3 per game).
- The soft cap horn will sound at 75 minutes. Teams with timeouts available can use no more than 1 during soft cap. At the completion of the point in progress when the soft cap horn sounds, add two points to the highest current score, and that is the new point cap for the game unless the original point cap was lower. (A point is considered to be in progress as soon as the preceding point has ended.) **Win-by-two is not required at the point cap**, but any team that reaches the original winning score or more by a margin of two or more will be the winner of the game.
- Games will be hard-capped 10 minutes before the start of the next round. At the completion of the point in progress when the hard-cap horn sounds, the team in the lead is the winner. If the game is tied after the completion of that point, one more point is played to determine the winner. No timeouts (except injury timeouts) may be called once the hard-cap horn has sounded.
- Seeding for playoffs will be based on won/lost record during pool play. Tiebreakers will be applied in the following order: point differential in games between tied teams; total point differential; disc flip.

Open Division I	Purple Pool		Yellow Pool		
	1. Streetgang San Diego	2. Crom Reed Alumni	3. Freaks from the Peaks Flagstaff	4. ASU Alumni ASU	
	3. Arson Tucson	4. Le Tigre Tucson/NM/Philly	1. Papal Age Notre Dame Alumni	2. Sprawl Phoenix	
	ROUND	Field 5w	Field 5e	Field 6w	Field 6e
	10:00	P1/P3	P2/P4	Y1/Y3	Y2/Y4
12:30	P1/P4	P2/P3	Y1/Y4	Y2/Y3	
3:00	P1/P2	P3/P4	Y1/Y2	Y3/Y4	

Games to 17, Cap at 19, Softcap 100 min, Hardcap 120 min.

Open Division II	White Pool		Green Pool		
	1. Sbrawl Phoenix	2. Ol' Ponderoso NAU alumni	1. Diablos ASU	2. Hammer of the Gods Cleveland/CA/PHX	
	3. El Ponderoso NAU	4. Discepticons Phoenix	3. U of Denver Denver	4. The Nguyen'ers Chandler, AZ	
	5. Bliablos ASU B		5. Swashbucklers UofA B		
	ROUND	Field 4w	Field 4e	Field 1w	Field 1e
	10:00	W1/W5	W2/W4	G1/G5	G2/G4
	11:45	W1/W4	W3/W5	G1/G4	G3/G5
1:30	W1/W3	W2/W5	G1/G3	G2/G5	
3:15	W1/W2	W3/W4	G1/G2	G3/G4	
5:00	W2/W3	W4/W5	G2/G3	G4/G5	

Games to 13, Cap at 15, Softcap 75 min, Hardcap 95 min.

Women	Roadrunner Pool		Coyote Pool		Saguaro Pool		
	1. Lady Liquor CO	2. Phat Saxy Sacramento/PHX	1. Hella Bella WI Alumni	2. Tactical Nuclear Penguin SoCal	1. Suck n Blow San Diego	2. Con Gusto Tucson	
	3. PHXie Chicks Phoenix	4. Caliente ASU	3. Quick PHX Phoenix	4. Bombshells UNM	3. Utopia Provo	4. Jines in the Pines NAU	
	5. Sirens UofA		R Pool Games to 13, Cap at 15. C, S Pool Games to 15, Cap at 17.				
	ROUND	Field 2w	Field 2e	Field 7s	Field 7n	Field 3w	Field 3e
	10:00	R1/R5	R2/R4	*4th round crossover games based on reseed			
	11:45	R1/R4	R3/R5	C1/C3	C2/C4	S1/S3	S2/S4
1:30	R1/R3	R2/R5	C1/C4	C2/C3	S1/S4	S2/S3	
3:15	R1/R2	R3/R4	C1/C2	C3/C4	S1/S2	S3/S4	
5:00	R2/R3	R4/R5			C4*/S4*	C3*/S3* wildcard	

All Women's Pools Softcap 75 min, Hardcap 95 min.

### PLAYER INFORMATION

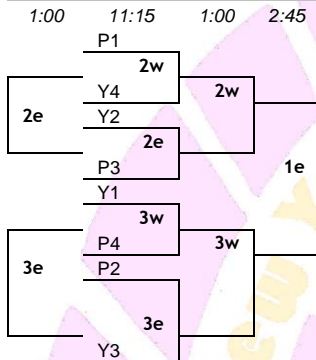
- 1) Games start on time. Be ready to play!
- 2) **NO GLASS ON ANY FIELD, EVER.**  
Please buy cans.
- 3) The party is age 21 and up.
- 4) **ALL DOGS MUST BE ON A LEASH.**
- 5) If you have a good time, let us know!  
SOTG!!

## Sat. PARTY: Flicka's Baja Cantina

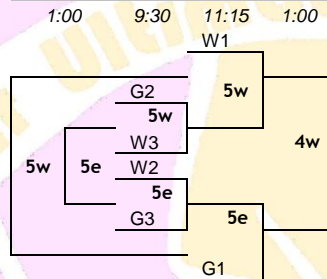
- 2003 N Scottsdale Rd, between Thomas and McDowell
- 20 min from fields – S on 101, W (right) on McDowell, N (right) on Scottsdale, right turn in.
- Party starts at 7:30 pm and is 21 and up
- Check in to get drink tickets at the door

## 2010 New Year Fest \* Playoffs: Sunday, January 31

### Open A Sunday Bracket



### Open B Sunday Bracket



### Open C Sunday Pool

ROUND	Field 6w	Field 6e
<b>9:30</b>	G4/W5	W4/G5
<b>11:15</b>	G5/W5	G4/W4

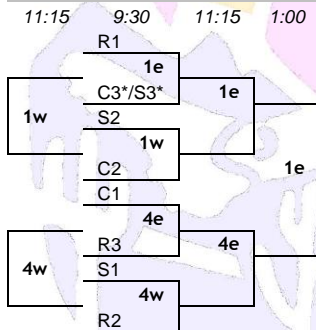
### Women's B Sunday Pool

B1 = loser of the "wild card" game (C3\*/S3\*)  
 B2 = R4  
 B3 = 4th team from wild card winner's pool

B4 = 4th team from wild card loser's pool  
 B5 = R5

ROUND	Field 7e	Field 7n
<b>9:00</b>	B2/B3	B4/B5
<b>10:30</b>	B1/B2	B3/B5
<b>12:00</b>	B1/B3	B2/B4
<b>1:30</b>	B1/B5	

### Women's A Sun. Bracket



### Volunteers make NYF happen!!

**Tournament Director:** Tim Streit  
**On Site Coordinator:** Stan Marks  
**On Site Assistants:** Katherine Nabity, Cosmo Pearl  
**Party Coordinator:** Ted Bland  
**Field Reservations, EMTs, Trainers:** Keith Aspinall  
**Artwork:** Betsy Moyer, Katie Moyer  
**Hotel Blocking:** Rebecca Lynn  
**Setup and Transportation:** Jim Tolar, Joanne Aspinall, Rob Ozdoba, Bryan Paris

Thanks to everyone else who lends a hand!

### Restaurants near the Scottsdale Sports Complex\*:

- Frank Lloyd Wright Blvd & Scottsdale Rd (SE corner): Cantina Laredo, Pizza Picazzo, Redfish, Baja Fresh, In & Out, etc. The other corners all have at least one restaurant as well.
- Scottsdale Rd & the 101/Mayo Blvd.
- Kierland Commons (Scottsdale Rd. & Greenway Rd.) is a bit more upscale (i.e. more pricey)
- Frank Lloyd Wright Blvd & 101 (west side) has restaurants and the Four Peaks Brewery

## RECYCLE!!!

Recycling containers will be available at the fields. Please help out and be aware.

**No trash in the recycling containers.**

What CAN go in the recycling:

Plastic Water Bottles

Cans

What CANNOT go in the bins:

Food, Fabric (old socks, tape), Napkins, Paper, Towels, Kleenex, Plastic Bags